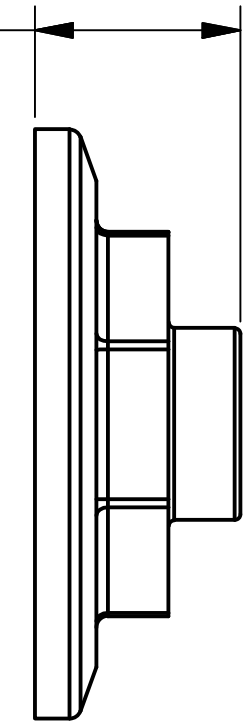
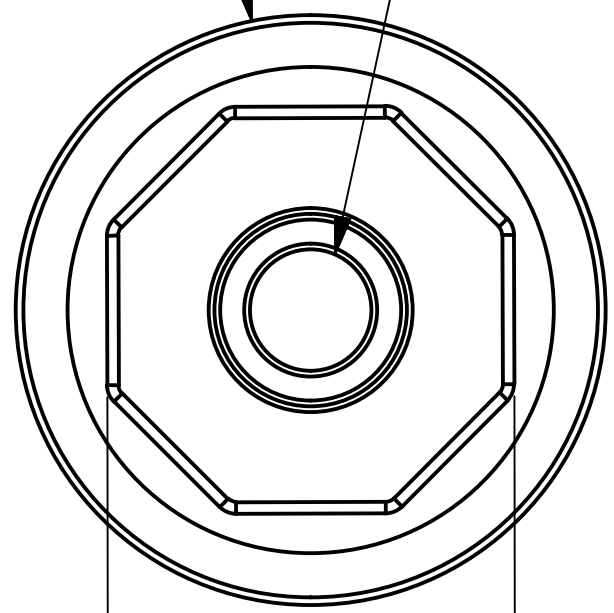


1 1/16 [27.2]



Ø3 1/16 [78.0]

3/8" - 18 NPT



2 1/8 [53.8]

B

B

A

A



BANJO CORPORATION
150 BANJO DRIVE, CRAWFORDSVILLE, IN 47933
WEB SITE: WWW.BANJOCORP.COM
E-MAIL: BANJOSALES@IDEXCORP.COM

THIS DRAWING AND ALL INFORMATION CONTAINED THEREON ARE THE EXCLUSIVE PROPERTY OF BANJO CORPORATION.

UNLESS SPECIFICALLY NOTED, THIS DRAWING AND ITEMS SHOWN ON THIS DRAWING ARE SUBJECT TO CHANGE AT ANY TIME.

DESCRIPTION
M200 Flange x 3/8" FPT

PART NUMBER
M200PLG038

Note: Parts are to be bagged.

2

1

1